



HEIDELBERG
*Supra*setter

Supra

HEIDELBERG

The World's Most Successful Thermal
CtP Family for all Plate Formats.



The Suprasetter are Aptly Named – After the Latin Word Supra, Meaning Far Superior to Conventional Standards. And Every Day, in Every Format, All Over the World, They Prove How Fitting this Name is.

- 4 Suprasetter Success Story
- 6 A Suprasetter for Every Format Class
- 8 Laser Technology – Made by Heidelberg
- 10 Suprasetter A52/A75
- 12 Suprasetter A105/105
- 14 Suprasetter 145/162/190
- 16 Workflow Integration with Prinect
- 18 Heidelberg
- 19 Technical Data at a glance

Suprasetter Are the World's Most Successful CtP Range Over All Formats. Amazed? It's Not So Surprising Really. Heidelberg Knows the Tough Demands a Platesetter Needs to Meet in Order to Play its Part Successfully – both Today and in the Future.



Perfection means not having to think about the quality of the printing plates during printing.

A far-sighted investment. Computer-to-Plate (CtP) is the world's leading technology for boosting productivity and efficiency in the pressroom. Along with the presses, the performance of the platesetters is a particularly crucial success factor. Outstanding quality is as important as absolute reliability and durability. In order to stand the test of long-term use and play its part in the company's economic success, a platesetter system needs to be well equipped to handle the demanding requirements of the pressroom.

Based on experience gained from installing several thousand CtP systems worldwide, the Suprasetter™ generation of platesetters sets new standards in every format class. From the small-format, entry-level solution to the large-format class, every Suprasetter model is designed according to the same successful principles: premium quality, maximum availability, growth-oriented modularity and flexibility, and perfect integration into the Prinect® print shop workflow.

The system's technology ensures outstanding quality. Suprasetter use only lasers exclusively developed by Heidelberg®. The result is excellent imaging quality with maximum productivity. They also offer unrivaled depth of focus. The internal punching systems ensure consistently reliable production and very high register accuracy in the press.

Maximum availability. The laser systems in the Suprasetter offer not only outstanding quality but also a high level of reliability, in particular through the Intelligent Diode System (IDS) developed and patented by Heidelberg. Even if one or several diodes fail, production is not interrupted.

Highly environmentally friendly. Heidelberg uses the latest plate technology that combines environmentally friendly plate processing with high productivity. All Suprasetter can process chemical-free or processless thermal printing plates. These have less impact on the environment because chemical influences have been removed.

Get prinected! Suprasetter can be seamlessly integrated into the Prinect workflow. All status information from the unit is relayed to Prinect and can be viewed from any Prinect Cockpit, providing the ideal basis for smooth planning and press assignment.



A Suprasetter produces perfect printing plates. Any time.

Growth-oriented modularity and flexibility. Any investment in a CtP system needs to take into account today all of tomorrow's needs. The Suprasetter have therefore been conceived with an end-to-end modular design. A Suprasetter can grow in line with a print shop's ever increasing demands. For example, plate loading systems for automatic loading of the platesetter can be connected in a very short time. Suprasetter are highly flexible when it comes to plate handling, plate types and formats, punching systems and level of automation.

A Suprasetter for Every Format Class.
For Many Print Shops, CtP is the Key to
Increased Productivity. To Meet Each
Company's Needs Exactly, There is a
Dedicated Suprasetter for Every Format Class.



Every Suprasetter features the outstanding CtP technology from Heidelberg.

A wealth of innovations for every format class.

From small to large format, a new CtP system must offer potential for increased performance. It's not enough to simply improve some details. What matters is the sum of all the technical features. When developing the Suprasetter, therefore, Heidelberg focused in particular on perfectly coordinating all components across all format classes. Regardless of whether you need automation, modularity, flexibility, reliability or simple operation, the Suprasetter sets new standards in the CtP sector with its outstanding features.

Automation for all format classes. The individual plate loading systems of the Suprasetter might look different, but they all ensure reliable and efficient production that is second to none. In fully automatic mode, a Suprasetter can image printing plates at any time, either in daytime operation or during the night shift. The quality of a loading system is also defined by the reliability of its slip sheet removal, and in this respect too, the Suprasetter performs exceptionally.

Modularity and automation are not a question of size.

A Suprasetter can grow in line with a print shop's ever-increasing demands. Whether the platesetter is used from the outset as a fully automated device or is gradually updated on site from manual operation to automatic plate production, the Suprasetter meets the individual, growing needs of the company – a further argument for making this highly reliable investment.

Ideal for fully automated operation. Depending on the format class and configuration, the unit can be stocked at any time with enough plates to handle several hours of fully automated production, thanks to the enormous capacity of the loading cassettes and their wide range of options for format assignment. Suprasetter are also highly flexible when processing different printing plates. More than 40 different types from various manufacturers have been tested and admitted for use.

Highly user-friendly software control. Suprasetter features software-controlled operation. The user interface displays the current status of the platesetter in a clearly structured and easy-to-understand way. Production-relevant parameters, such as the temperature of the laser carriage, can also be displayed. Graphic animations indicate the position of the plates inside the unit. Intuitive navigation makes familiarization quick and easy. Input errors are also reduced to a minimum.

Comparative sizes

	Suprasetter A52	Suprasetter A75	Suprasetter A105	Suprasetter 105
Max. plate format	676 × 530 mm (26.61 × 20.87 in)	676 × 760 mm (26.61 × 29.92 in)	930 × 1,060 mm (36.61 × 41.73 in)	930 × 1,140 mm (36.61 × 44.88 in)
Max. plates per hour	20/27	17/22	12	38

	Suprasetter 145	Suprasetter 162	Suprasetter 190
Max. plate format	1,425 × 1,460 mm (56.10 × 57.48 in)	1,425 × 1,630 mm (56.10 × 64.17 in)	1,425 × 1,915 mm (56.10 × 75.39 in)
Max. plates per hour	35	35	25

It's the Technology Inside that Counts.
Suprasetter Uses Only Laser Systems from
Heidelberg. Featuring Numerous Innovations,
these Offer First-class Reliability and Precision.
In Every Format Class.



Laser technology – made by Heidelberg: unrivaled precision and modularity.

Laser technology – made by Heidelberg. In order to ensure rapid and completely reliable plate imaging, one thing is absolutely vital – laser systems you can rely on at all times. The laser systems developed exclusively by Heidelberg deliver a combination of excellent imaging quality and maximum productivity. With the Suprasetter 105 and Suprasetter 145/162/190

throughput can be continuously increased by adding further laser modules. The modular design allows a tailor-made range of configuration options to suit any requirement. Laser modules can be retrofitted directly on site. Thanks to the unique laser unit concept, the retrofitting requires hardly any machine downtime and minimal service intervention.

Intelligent Diode System. Every laser system from Heidelberg is highly reliable, thanks to the Intelligent Diode System (IDS). Even if a diode fails due to wear and tear, operation can continue unhindered. The IDS automatically searches to the left or right of the failed diode to find the largest possible grouping of active diodes and continues with the work in hand. This significantly reduces the risk of equipment failure and resultant production stoppage.

Excellent depth of focus. As well as the Intelligent Diode System, outstanding depth of focus ensures consistently reliable production, automatically compensating for any unevenness of the plates. The outstandingly high imaging quality of a Suprasetter eliminates the need to re-image printing plates and thus avoids associated waiting times in the pressroom.

Premium Lenticular Print. Plate production for lenticular printing requires very special know-how and the appropriate tools to achieve excellent quality. The Prinect Signa Station positions the artwork optimally adjusted to the lens. The Prinect lenticular screenings offered by the Heidelberg RIP solutions provide lens accurate screening. Additionally, Heidelberg offers an option for the Suprasetter to adapt plate imaging to the lenticular lenses (Lenticular Resolution Adjustment). Together, these three options allow unprecedented quality and production security. This enables users to establish their company effectively in new markets.

High punching precision and flexibility. All Suprasetter can be optionally equipped with highly accurate, internal punching systems. The punched plates provide maximum register accuracy. This reduces press make-ready times which also minimizes waste. This is particularly the case for repeat jobs, for example when post-production of a printing plate from an existing color set is required. Because register deviations are rare, production can continue immediately.

Debris Removal System. The Debris Removal System is an optional vacuum and filtration system that removes loose particles and dust. A Suprasetter is therefore also highly suited to processing ablative plates.

The benefits of a Suprasetter at a glance:

- **Internal punch:** Internal punching of printing plates helps to reduce makeready times at the press and minimize waste.
- **Temperature stabilizer:** Imaging of the printing plates always takes place under the same conditions. These are ideal conditions for reaching full-color operation of the press rapidly and minimizing waste.
- **Modularity:** A Suprasetter grows in line with increased requirements in terms of plate handling and formats, punching and level of automation.
- **Excellent depth of focus:** Any plate unevenness is automatically compensated for. In most cases, therefore, printing plates do not have to be re-imaged and thus associated waiting times in the pressroom are avoided.
- **Integration:** Suprasetter can be seamlessly integrated into the Prinect workflow, providing the ideal basis for smooth planning and press assignment.

Suprasetter A52/A75: The Space-saving and most Successful CtP Platesetter in its Class. Fully Equipped with the Technology You Expect from a High-end Device, this Reasonably Priced Entry-level Solution Offers Outstanding Features.

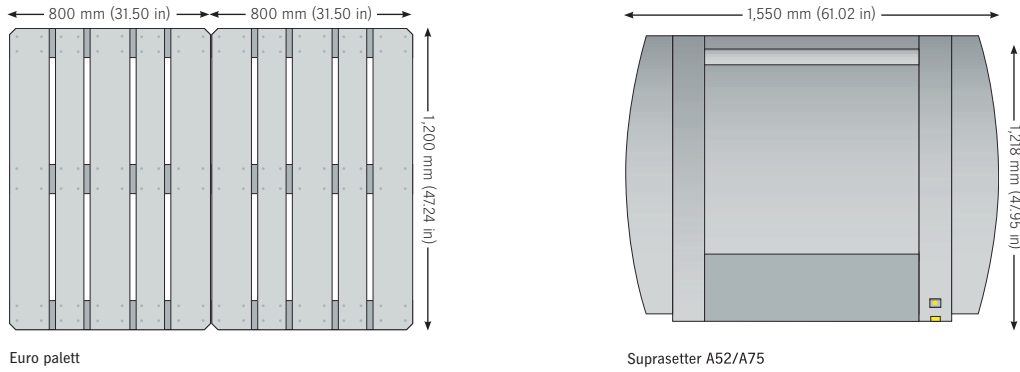


Suprasetter A52/A75 with Auto Top Loader (ATL) for automated plate imaging.

Outstanding technology in a compact design. One of the impressive points about the small- and medium-format Suprasetter is their unrivalled compactness. While the basic manual feed CtP has a very small footprint, a Suprasetter A52/A75 with auto plate loading system is by far the smallest platesetter in its class.

High-end technology. A Suprasetter A52/A75 uses the same well-proven laser technology as all the other models in the Suprasetter family. This means the imaging quality of the entry-level models is just as excellent as that of the larger format classes.

Suprasetter A52/A75 size comparison



The footprint of a Suprasetter A52/A75 is equivalent to that of two pallets lying side by side.

Investment security. Heidelberg offers the Suprasetter A52/A52 in each case with 2 different throughput speeds. If required, the systems can optional upgrade with a higher throughput at a later date. With an optional Auto Top Loader (ATL) or Dual Top Loader (DTL), the Suprasetter provides fully automated plate loading with slip sheet removal. These Loader modules can be easily installed on the basic unit. Due to an additionally integrated tray the Dual Top Loader (DTL) offers two different plate formats in parallel for completely automatic changing. The investment in an ATL or a DTL pays off in no time due to mostly unattended operation.

Conventional, processless and chemical-free thermal plates. Suprasetter A52/A75 offers various configuration options. It can be configured for conventional, processless and chemical-free thermal plates. An online processor can be connected for conventional thermal plates, a clean out unit for chemical-free thermal plates and a plate stacker for processless thermal plates.

Operational within a day. A Suprasetter A52/A75 lives up to the slogan 'plug and play' and is ready for full operation within a day. After the platesetter has been unpacked, installed and the operator given brief instructions, plate production can start immediately.

Low on consumption – kind to the environment. The Suprasetter A52/A75 has the lowest energy consumption in the small-format thermal platesetter class. It also has the lowest heat output. This in turn has a positive effect on the energy balance, as no additional air-conditioning is required for ambient temperatures of up to 30 degrees celcius (86 degrees Fahrenheit). The minimal electricity requirement provides substantial long term cost savings along with being environmentally friendly.

Suprasetter A105/105: High Performance for Medium Format. Their Modularity Makes These Units Reliable Partners for Growing Demands in the Pressroom.



Ensures maximum flexibility during production – equipped with an MCL, the Suprasetter A105/105 can hold up to 600 plates in four different formats.

Suprasetter grow in line with their tasks.

Featuring uniquely efficient CtP technology, the Suprasetter A105/105 offer outstanding quality and highly reliable production. The Suprasetter in this class are also highly flexible in terms of plate handling, plate format and type, punching and level of automation. Numerous configurations are possible. The spectrum ranges from the basic model, through a configuration with Single Cassette Loader (SCL) to fully automatic mode with Multi Cassette Loader (MCL). The SCL uses one plate cassette and the MCL up to four cassettes for different plate formats and types.

Automation with SCL and MCL. In the format class 105, an SCL or MCL feeds the plates fully automatically. After removing the slip sheet, the SCL loads the plate into the Suprasetter for imaging and then delivers it via the online processing unit connected to the side of the device. A Suprasetter with MCL is the most automated configuration.

Extraordinary plate capacity. The loading system can hold up to 150 plates measuring 0.15 millimeters (0.006 inches) in thickness in one cassette. Even if the plates are 0.3 millimeters (0.012 inches) thick, the cassette can still hold up to 100 plates. With the MCL, up to four cassettes with a maximum of 600 plates can be controlled online. The operator can choose whether all the cassettes should be loaded with one plate format or whether each cassette should contain a different format. This plate capacity allows continuous operation for many hours without the need to refill cassettes. A different format job will implement automatic cassette exchange for the proper plate size.

Smart plate handling. The Suprasetter A105/105 offer maximum convenience with plate handling by using Smart Plate Handling at every upgrade level. As the auto plate loading system is integrated to the back of the CtP, the manual plate loading in the front is unobstructed. A plate conveyor is also integrated into the auto loader, reducing the footprint of the over all system. This is an advantage compared with conventional systems, which generally have a restricted bypass operation and an external conveyor. Even with a fully automatic system, the Suprasetter allows a quick manual plate load – auto or manual plate loading are on a par with each other.

Temperature stabilizer. The temperature of all components relevant to imaging is maintained at a constant level. The imaging of the printing plates always takes place under the same conditions, a performance feature of Suprasetter 105 that is particularly beneficial for plate remakes. Any deviations caused by ambient temperature changes are avoided. This maintains the high register accuracy with the printing plates allowing a faster makeready on press.

Suprasetter A105 entry-level model. Suprasetter A105 was developed so that customers could take advantage of the technical benefits and modular concept of a Suprasetter at very reasonable cost. It has one laser module and its speed of plate imaging cannot be retrospectively upgraded. The Suprasetter A105 does not have a temperature stabilizer.

Prinected. The Suprasetter A105/105 can be easily integrated into the Prinect print shop workflow. The benefits speak for themselves: maximum reliability and productivity with a double RIP configuration. The classic Adobe® PostScript Interpreter is available for conventional job processing. The Adobe PDF Print Engine is also included within Prinect MetaDimension for direct processing of PDF files. The free choice of screening processes and Plate on Demand, the system for direct launching of plate production at the press control station, provide the ideal basis for high productivity and maximum flexibility.

Suprasetter 145/162/190: The Perfect Partner for Large Format. Tried-and-tested Suprasetter Technology Provides the Ideal Basis for Fully Utilizing Capacity in the Press Room.



Suprasetter 145/162/190: Reliable plate production even for highly complex jobs.



The award "red dot" for high design quality, expressing innovation in form and function in an exemplary manner, is presented to Suprasetter 145/162/190.

Proven quality and reliability for large format.

The Suprasetter 145/162/190 for large format are based on well-proven technologies in this CtP range. This includes, above all, the outstanding lasers from Heidelberg with their patented Intelligent Diode System. These models also feature production with excellent depth of focus, internal temperature stabilization and uniquely straightforward operation. The large-format platesetters also set new standards in their class with regard to quality, reliability, flexibility and user-convenience.

Thanks to its unique modular design, the platesetter system can be configured as required, both in terms of installing the lasers and optional punching systems and selecting the required plate loading units. You can also upgrade the system at any time in the future. The system is upgraded directly on site and production can be recommenced with additional functions within a very short time.

Maximum flexibility for plate types and formats.

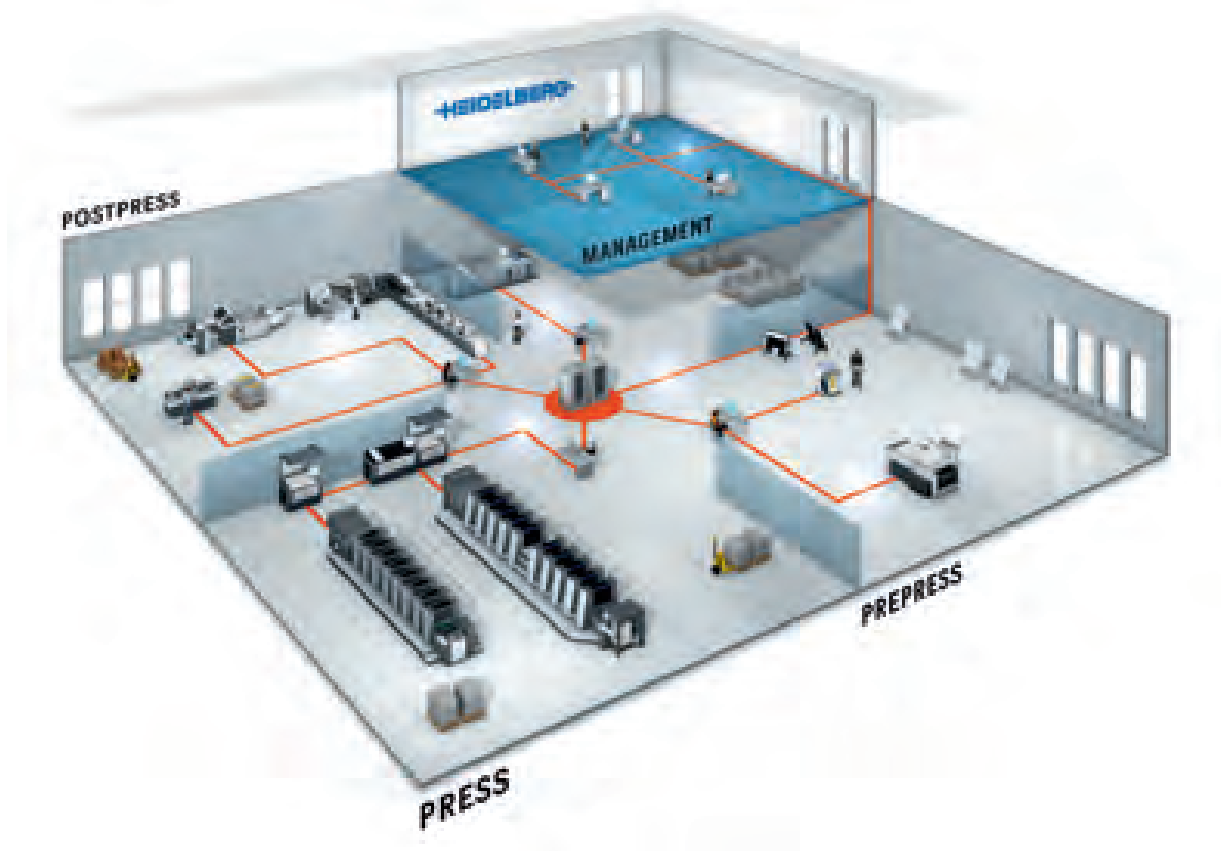
The outstanding flexibility of the Suprasetter 145/162/190 is highly impressive. This applies to both plate formats and plate types. The fully automated loading unit holds 100 plates for each of up to six different formats. With a total volume of 600 printing plates and automatic selection of the correct plate type, these models are perfectly equipped for highly efficient plate production. There's another benefit too. Even when the unit is in automatic mode, individual plates can be fed into the platesetter manually.

Outstanding punching precision and flexibility.

The Suprasetter 145/162/190 can be optionally fitted with a highly accurate internal punching system. The punched plates provide maximum register accuracy. This reduces press makeready times which also minimizes waste. Additional punching systems can be installed retrospectively on site at any time.

Prinected. The Suprasetter 145/162/190 can of course also be incorporated with ease into the Prinect print shop workflow. All other services from the Heidelberg print shop workflow can therefore be used in order to optimize processes and boost productivity on a lasting basis. It is also possible to connect the Suprasetter 145/162/190 to workflow systems from other suppliers via Prinect MetaShooter®.

Prinected. Integration with Prinect Optimizes your Processes – and Boosts Quality and Cost-effectiveness on a Lasting Basis.



Prinected. Prinect is the print shop workflow and your gateway to integrated print production. It combines production with management processes within a workflow. Get prinected – for optimized processes and increased cost-effectiveness in your print shop.

Active control of the print process based on secure data. Cost-effective print production starts at the job acceptance and costing stage. It continues from the prepress through press stages to postpress and invoicing. In order to take decisions based on well-founded data and actively control processes, you need precise information about the current status of a job. You can turn over print jobs in a very short time, while keeping quality and costs effectively under control, even in the case of unplanned modifications.

End-to-end transparency for fast decisions. Prinect is based on the open industry standard JDF. This makes the individual operations transparent and allows end-to-end control of the print shop. All parties involved in the process work from a single set of data, a centralized JDF for all processes – a digital job folder containing all the information relating to a job.

Maximum automation and direct control in your pre-press department. Prinect automates processes that were previously performed manually, speeding them up and minimizing errors. Users are freed up from routine tasks, yet still retain complete control at all times. If necessary, they can intervene for purposes of regulation.

The RIP for maximum productivity. Prinect features a double RIP configuration. The new generation of software allows both direct ripping of PDF documents and the tried-and-tested PostScript format. PDF documents are correctly processed including any transparency contained within them, thereby eliminating proof and plate output errors. Identical output results can be produced anywhere in the workflow. This standardized presentation makes print processes highly reliable and productive. An additional internal data control system is no longer required and the whole process is faster and more cost-effective.

Identical results for proof and printing plate. Prinect uses the same RIP for proof and plate and therefore provides the ideal basis for joint color management and identical output results. In other words, the proof accurately anticipates the result that will later be achieved when printing on the press.

Perfect color management and proofing. With Prinect, all standard proofers can be directly controlled, as both TIFF and PDF files can be exported. In order to ensure predictable, repeatable color reproduction for proof and print, Prinect uses ICC color profiles. These can be processed directly with no need for further conversion. Embedded profiles can also be directly evaluated in PDF/X files. In order to regulate the precision of color matching, even more individually, Prinect offers special tools for interactive profile generation. For instance, by re-profiling difficult color areas step by step, ICC profiles can be generated with a mean deviation between proof and print that the human eye cannot distinguish.

Free choice of screening processes. Prinect covers all screening processes, from the classic amplitude-modulated (AM) screening through frequency-modulated (FM) to Hybrid Screening. This versatility means you are sure to find the best screen for all customer configurations – plates, platesetters, papers and press. It is possible to combine different screening processes within a PDF document so that individual text, image and graphic objects can each be processed using the best method. Only the screening methods integrated in Prinect are available for selection in the PDF. This helps prevent incorrect settings. Object-dependent screening improves print quality, producing very high-quality results.

Plate on Demand – launching plate production directly from the control station. With full integration in Prinect, plate production can be easily controlled at any time from the press control station. This application, known as Plate on Demand, allows press operators without any special prepress knowledge to start plate production by selecting the plate to be imaged from a list on the touchscreen and, simply at the touch of a button, launching the initial run or, in the case of a faulty plate, relaunching production. This ensures smooth production, day and night.

Heidelberger Druckmaschinen AG

Heidelberg, a tradition-based yet technology-focused pioneer, is synonymous with innovative, top-class products and services. Each solution is developed with one goal in mind – to boost the success of your business. Heidelberg solutions cover the entire process and value-added chain of sheetfed offset printing, from management and prepress to press and postpress. We ensure that you can improve your production processes, making them better, faster, more cost-effective, and more environmentally friendly. Our portfolio is designed to increase your productivity, flexibility, and quality – all crucial factors when it comes to satisfying your customers.



Technical Data for the Suprasetter

	Suprasetter A52	Suprasetter A75
Single Cassette Loader (SCL)	—	—
Multi Cassette Loader (MCL)	—	—
Auto Cassette Loader (ACL)	—	—
Auto Top Loader (ATL) ¹	○	○
Dual Top Loader (DTL) ²	○	○
Productivity option (plates/h with max. format)	20/27	17/22
Dimensions (width × depth × height)	1,550 × 1,218 × 1,350 mm (61.02 × 47.95 × 53.15 in)	1,550 × 1,218 × 1,350 mm (61.02 × 47.95 × 53.15 in)
Min. plate format (height × width)	240 × 240 mm (9.45 × 9.45 in)	240 × 240 mm (9.45 × 9.45 in)
Max. plate format (height × width)	676 × 530 mm (26.61 × 20.87 in)	676 × 760 mm (26.61 × 29.92 in)
Max. imaging area (height × width)	656 × 530 mm (25.83 × 20.87 in)	656 × 760 mm (25.83 × 29.92 in)
Plate thickness	0.15–0.3 mm (0.006–0.012 in)	0.15–0.3 mm (0.006–0.012 in)
Resolution	2,400 or 2,540 dpi	2,400 or 2,540 dpi
Register accuracy	± 25 µm for four consecutive imaging operations using the internal punching	± 25 µm for four consecutive imaging operations using the internal punching
	± 5 µm for two consecutive imaging operations on the same plate	± 5 µm for two consecutive imaging operations on the same plate
Internal punch	Up to 2 punching pairs	Up to 2 punching pairs
Operating temperature	17–30°C (62.6–86 F)	17–30°C (62.6–86 F)
Relative humidity	30–70%	30–70%
Debris Removal System	○	○
Temperature stabilizer	—	—
Intelligent Diode System (IDS)	•	•
Smart plate handling	—	—
Suprasetter Lenticular Resolution Adjustment	○	○
Workflow integration	Prinect MetaDimension, Prinect MetaShooter or Prinect Prepress Manager with Renderer	Prinect MetaDimension, Prinect MetaShooter or Prinect Prepress Manager with Renderer
Power consumption during imaging	< 700 W, average 550 W	< 700 W, average 550 W

○ Option • Standard — not available

¹ ATL: max. plate format (height x width)

² DTL: max. 1st plate format (height x width)
max. 2nd plate format (height x width)

676x530 mm
(26.61 x 20.87 in)

676x530 mm
(26.61 x 20.87 in)

505x530 mm
(19.88 x 20.87 in)

676x760 mm
(26.61 x 29.92 in)

676x760 mm
(26.61 x 29.92 in)

505x530 mm
(19.88 x 20.87 in)

Suprasetter A105	Suprasetter 105	Suprasetter 145	Suprasetter 162	Suprasetter 190
○	○	—	—	—
○	○	—	—	—
—	—	○	○	○
—	—	—	—	—
—	—	—	—	—
12	15/21/27/33/38	15/25/35	15/25/35	15/25
2,150 × 1,494 × 1,536 mm (84.65 × 58.82 × 60.47 in)	2,150 × 1,494 × 1,536 mm (84.65 × 58.82 × 60.47 in)	3,400 × 3,380 × 1,560 mm (133.86 × 133.07 × 61.42 in)	3,400 × 3,380 × 1,560 mm (133.86 × 133.07 × 61.42 in)	3,400 × 3,380 × 1,560 mm (133.86 × 133.07 × 61.42 in)
370 × 323 mm (14.57 × 12.72 in)	370 × 323 mm (14.57 × 12.72 in)	500 × 650 mm (19.69 × 25.59 in)	500 × 650 mm (19.69 × 25.59 in)	500 × 650 mm (19.69 × 25.59 in)
930 × 1,060 mm (36.61 × 41.73 in)	930 × 1,140 mm (36.61 × 44.88 in)	1,425 × 1,460 mm (56.10 × 57.48 in)	1,425 × 1,630 mm (56.10 × 64.17 in)	1,425 × 1,915 mm (56.10 × 75.39 in)
918 × 1,060 mm (36.14 × 41.73 in)	918 × 1,140 mm (36.14 × 44.88 in)	1,413 × 1,460 mm (55.63 × 57.48 in)	1,413 × 1,630 mm (55.63 × 64.17 in)	1,413 × 1,915 mm (55.63 × 75.39 in)
0.15–0.35 mm (0.006–0.014 in)	0.15–0.35 mm (0.006–0.014 in)	0.24–0.4 mm (0.009–0.016 in)	0.24–0.4 mm (0.009–0.016 in)	0.24–0.4 mm (0.009–0.016 in)
2,400 or 2,540 dpi	2,400 or 2,540 dpi	2,400 or 2,540 dpi	2,400 or 2,540 dpi	2,400 or 2,540 dpi
± 25 µm for four consecutive imaging operations using the internal punching	± 25 µm for four consecutive imaging operations using the internal punching	± 25 µm for four consecutive imaging operations using the internal punching	± 25 µm for four consecutive imaging operations using the internal punching	± 25 µm for four consecutive imaging operations using the internal punching
± 5 µm for two consecutive imaging operations on the same plate	± 5 µm for two consecutive imaging operations on the same plate	± 5 µm for two consecutive imaging operations on the same plate	± 5 µm for two consecutive imaging operations on the same plate	± 5 µm for two consecutive imaging operations on the same plate
Up to 4 punching pairs	Up to 4 punching pairs	Up to 5 punching pairs	Up to 5 punching pairs	Up to 5 punching pairs
17–27°C (62.6–80.6 F)	17–30°C (62.6–86 F)	20–27°C (68.0–80.6 F)	20–27°C (68.0–80.6 F)	20–27°C (68.0–80.6 F)
40–70%	40–70%	40–70%	40–70%	40–70%
○	○	○	○	○
—	•	•	•	•
•	•	•	•	•
•	•	○	○	○
○	○	○	○	○
Prinect MetaDimension, Prinect MetaShooter or Prinect Prepress Manager with Renderer	Prinect MetaDimension, Prinect MetaShooter or Prinect Prepress Manager with Renderer	Prinect MetaShooter	Prinect MetaShooter	Prinect MetaShooter
< 1kW, average 600W	< 3kW, average 1.6kW	≤ 10kW, average < 7kW	≤ 10kW, average < 7kW	≤ 10kW, average < 7kW



Products from Heidelberg promise peak performance in print quality, speed, and reliability in the format classes 35 × 50 to 121 × 162 cm. The **Prinect** printshop workflow integrates and optimizes all working processes in printshops, thus boosting the efficiency of production workflows, ensuring greater process transparency, and accelerating the entire job flow.



Heidelberg **Systemservice** offers you the widest range of services for your company – from technical service with state-of-the-art remote diagnosis and original service parts, to optimization of print results and process consulting. With **Saphira** consumables from Heidelberg, you can be sure that you are using process materials designed to perfectly match the requirements of your Heidelberg equipment. Heidelberg **Financial Services** provides you with the advice and support required to meet your financing needs. In addition, Heidelberg **Business Consulting** offers business management advice.

The **Print Media Academy** in Germany is the center of a worldwide network – currently covering 18 sites – and offers a comprehensive training program tailored specifically to the requirements of the industry. Intensive training courses have been designed to provide participants with in-depth information on Heidelberg products, technological innovations, and successful management.

We'd love to hear from you. If you would like more information on Heidelberg solutions to suit your needs, please don't hesitate to contact us.

Heidelberger Druckmaschinen AG

Kurfuersten-Anlage 52-60
69115 Heidelberg
Germany
Phone +49 6221 92-00
Fax +49 6221 92-6999
www.heidelberg.com



Publishing Information:

Printed in: 12/10
Photographs: Heidelberger Druckmaschinen AG
Platemaking: Suprasetter
Printing: Speedmaster
Finishing: Stahlfolder, Stitchmaster
Fonts: HeidelbergGothicML
Printed in Germany

Trademarks

Heidelberg, the Heidelberg logotype, Prinect, MetaDimension, MetaShooter, Speedmaster, Stahlfolder and Stitchmaster are registered trademarks of Heidelberger Druckmaschinen AG in the U.S. and other countries. Suprasetter is a trademark of Heidelberger Druckmaschinen AG in the U.S. and other countries. Adobe and Postscript are either registered trademarks or trademarks of Adobe Systems Incorporated in the United States and/or other countries. All other trademarks are property of their respective owners.

For details on the emissions of the Suprasetter, please visit us at www.heidelberg.com/emissiondetails

Subject to technical modifications and other changes.